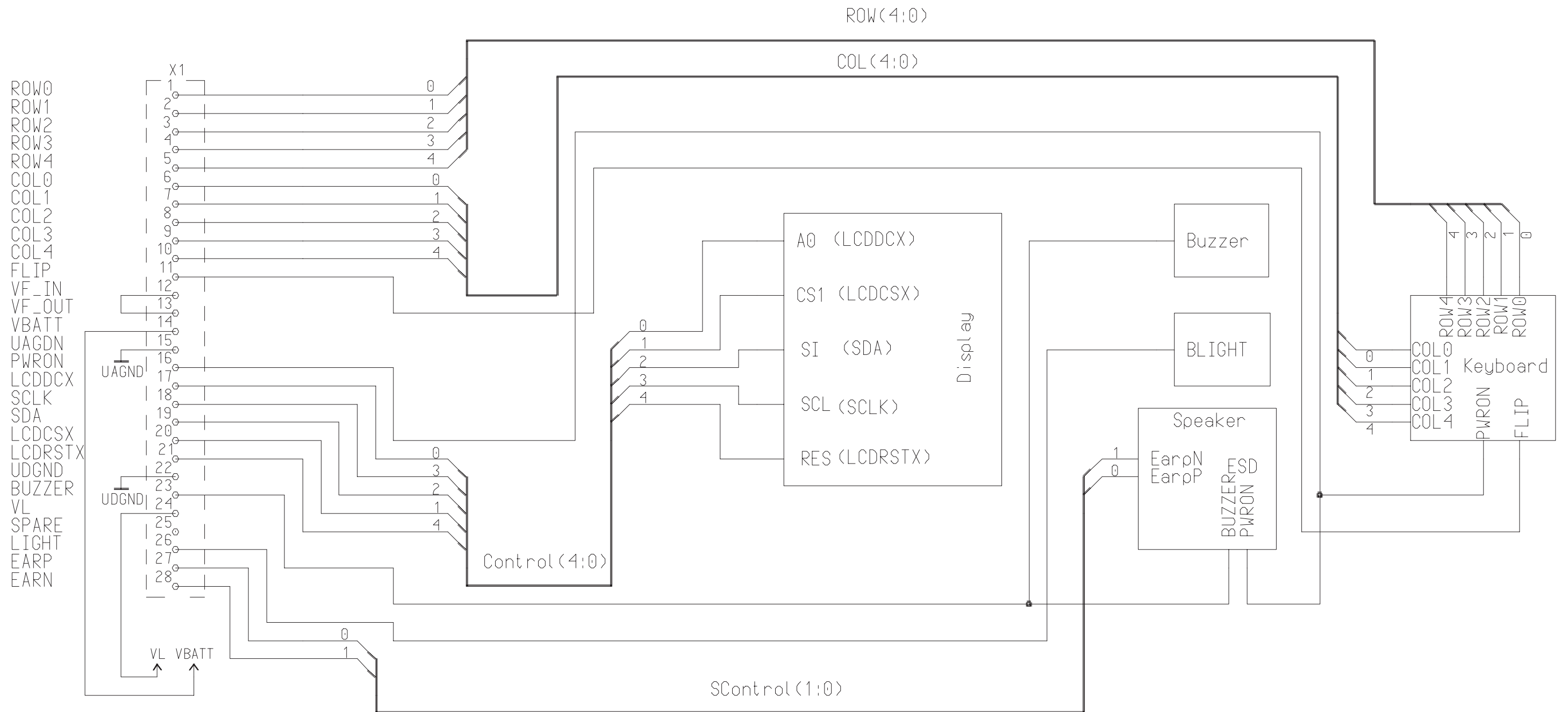
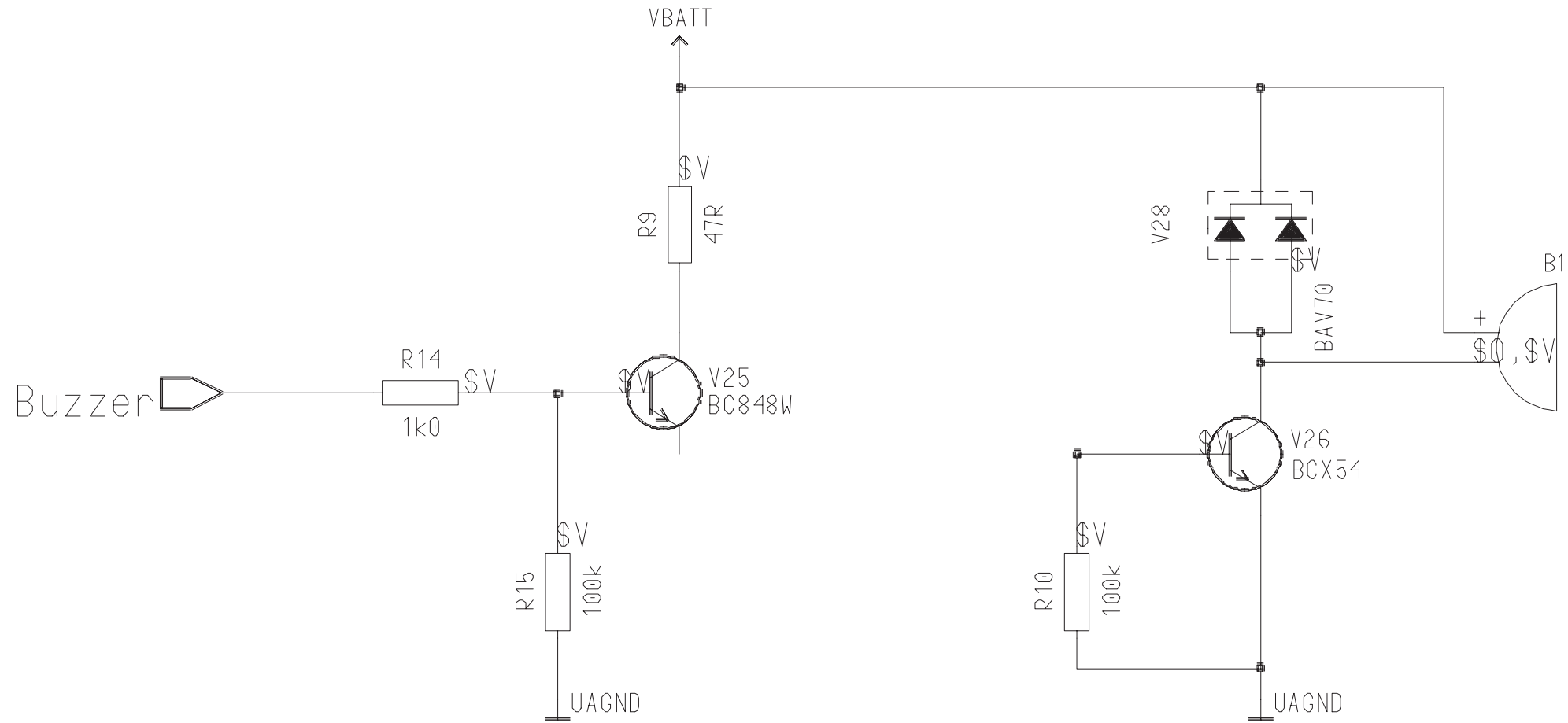


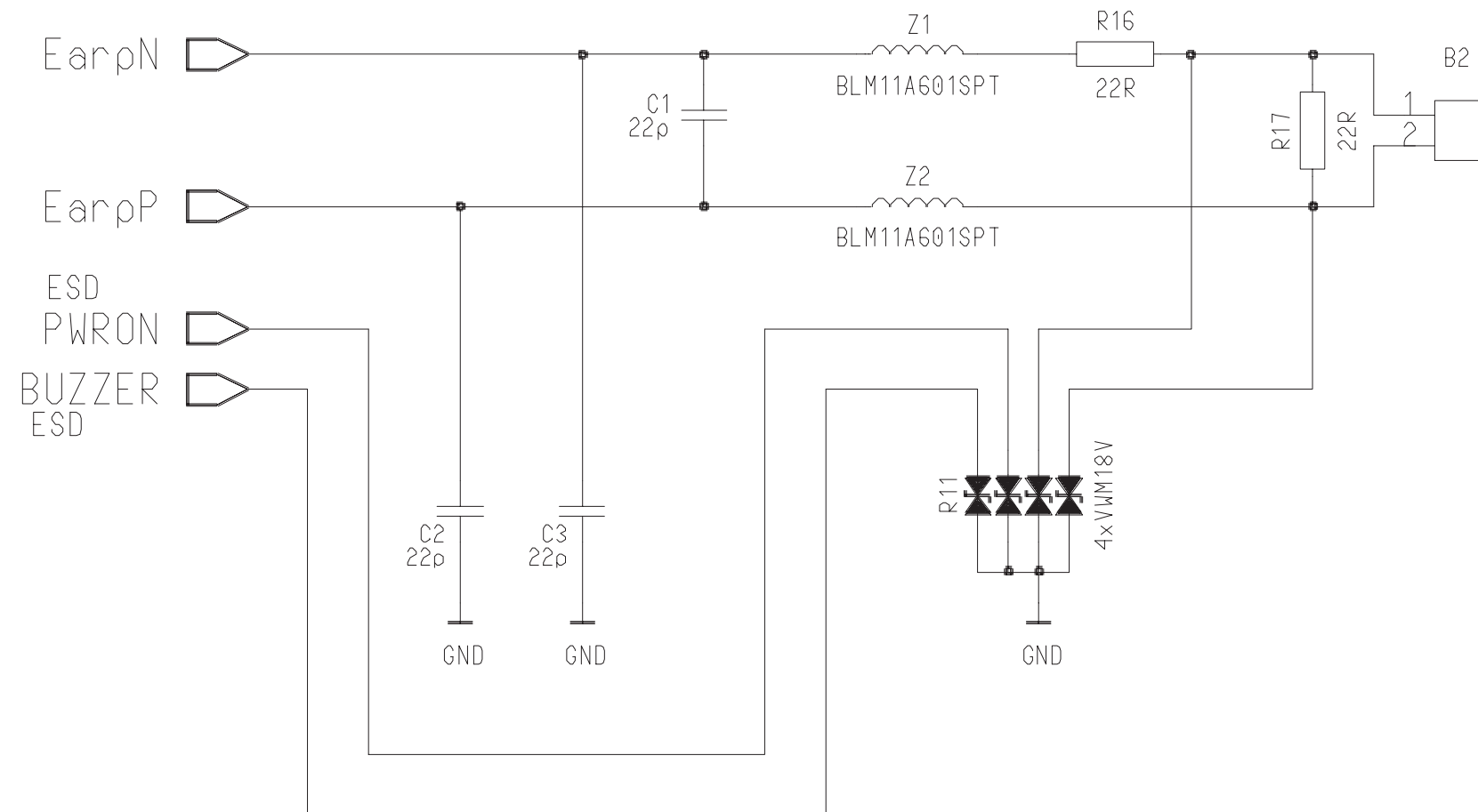
**Block Diagram of UI Module** (Version 9.0 Edition 45) for layout version 11



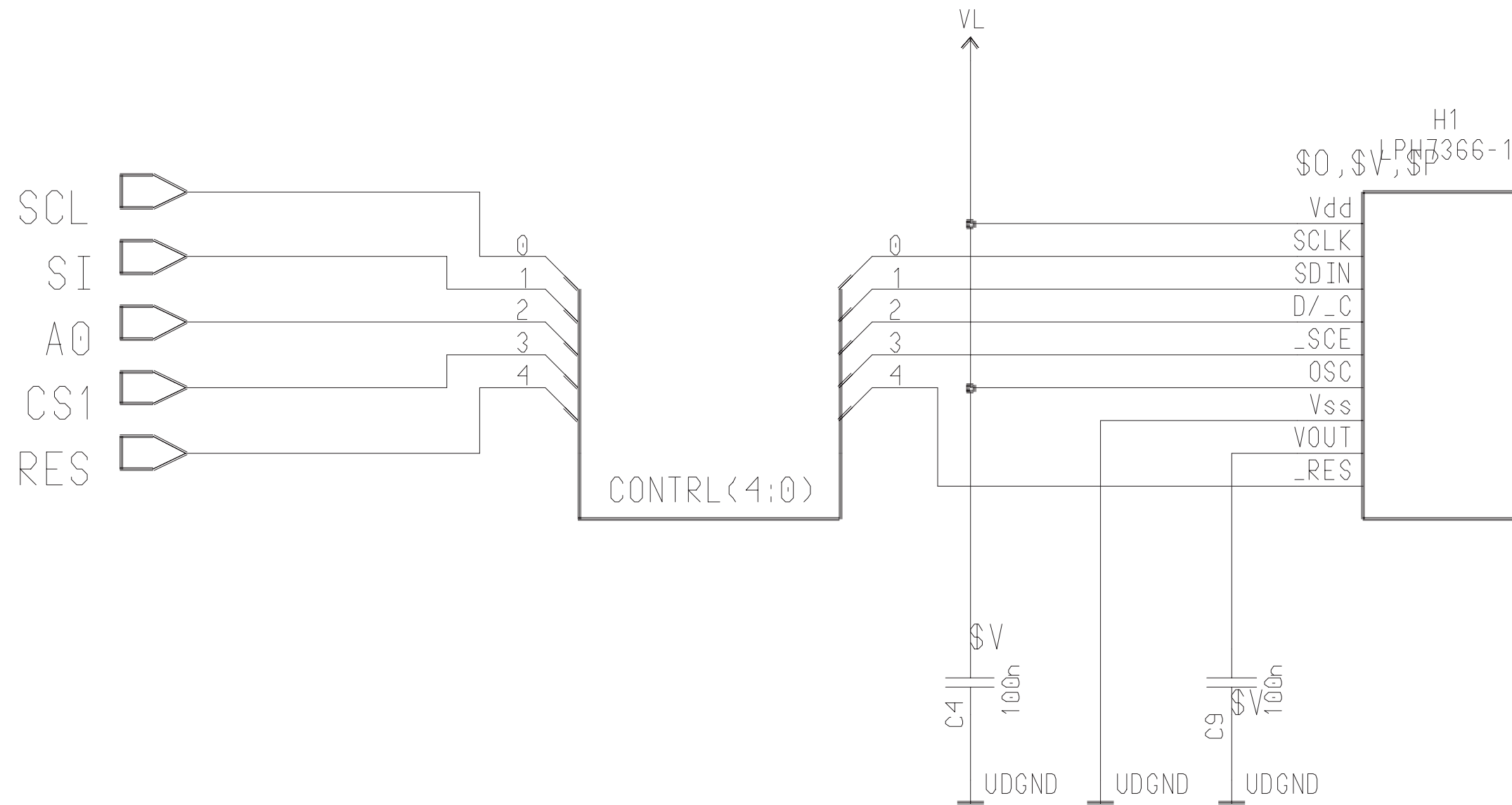
**Circuit Diagram of Buzzer Module** (Version 9.0 Edition 29) for layout version 11



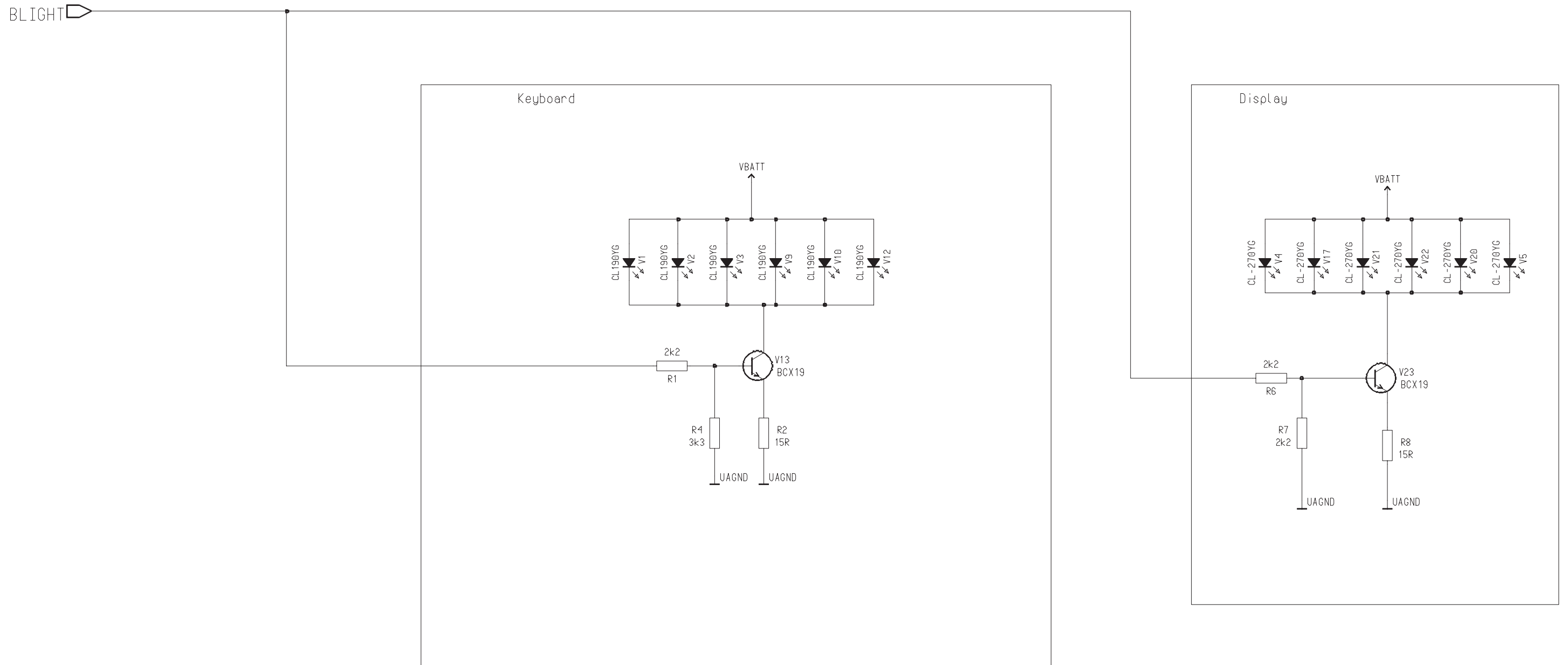
**Circuit Diagram of Speaker Module** (Version 9.0 Edition 29) for layout version 11



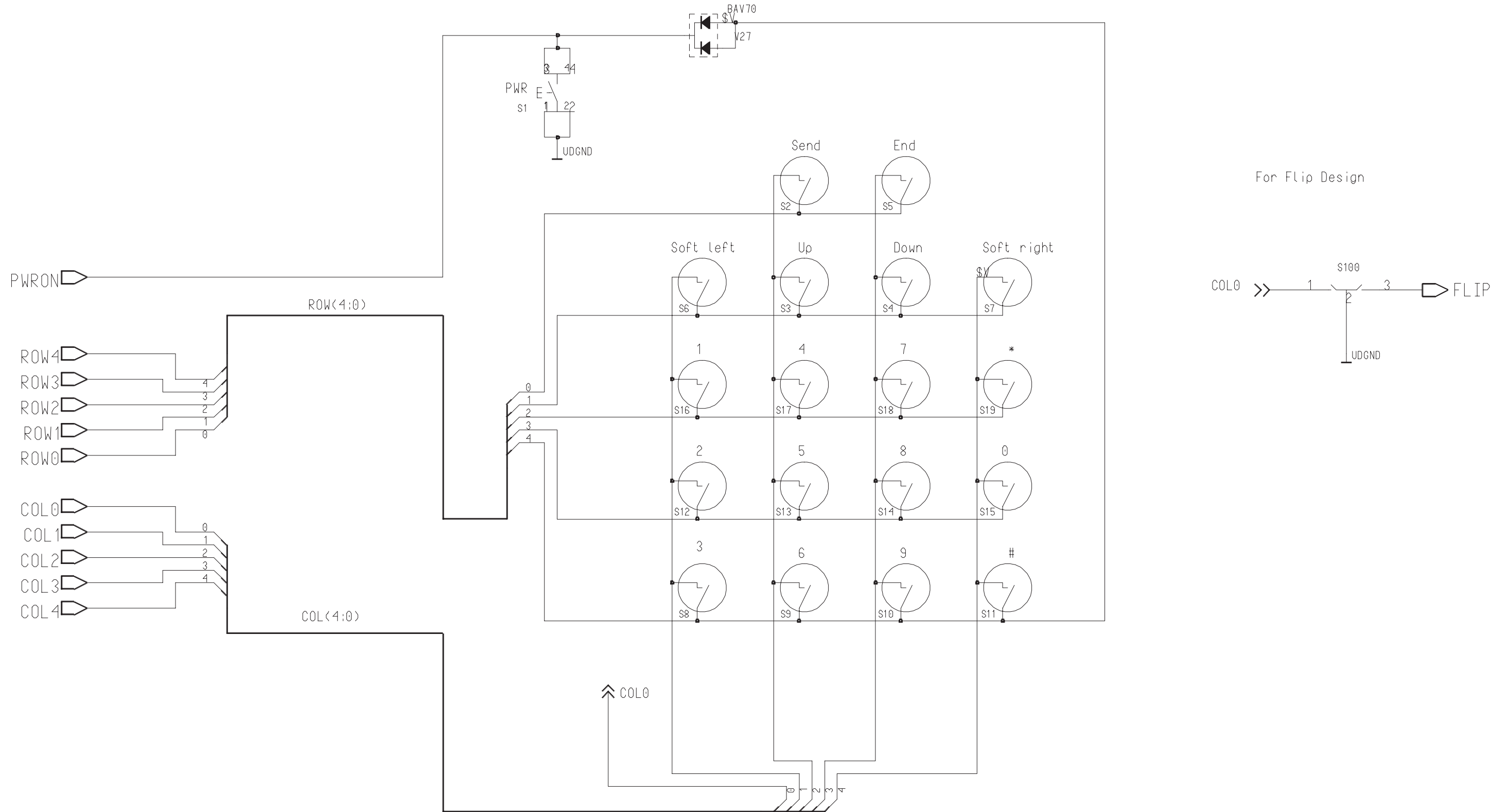
Circuit Diagram of LCD Module (Version 9.0 Edition 21) for layout version 11



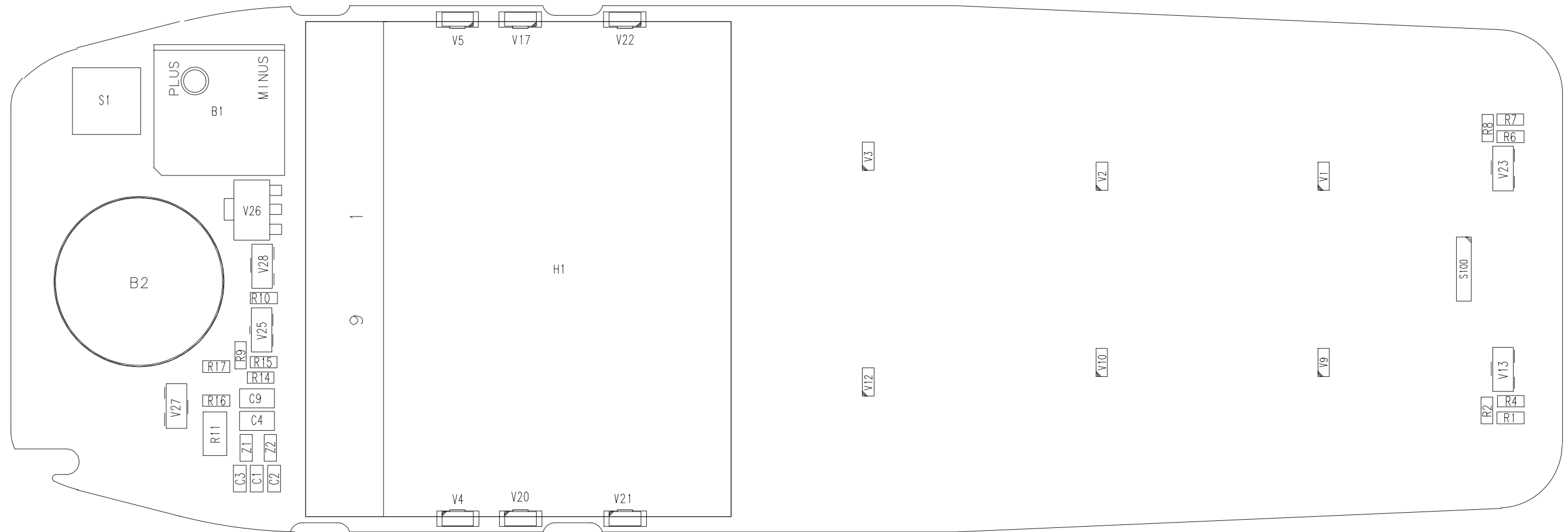
Circuit Diagram of Backlight (Version 9.0 Edit 25) for layout version 11



**Circuit Diagram of Keyboard** (Version 9.0 Edition 40) for layout version 11



**Layout Diagram of UE4 – Top** (Version 11)



**Layout Diagram of UE4 – Bottom** (Version 11)

